

- 1
- 2
- 3
- 4
- 5
- 6
- 7
- 8
- 9
- 10
- 11
- 12
- 13
- 14
- 15
- 16
- 17
- 18

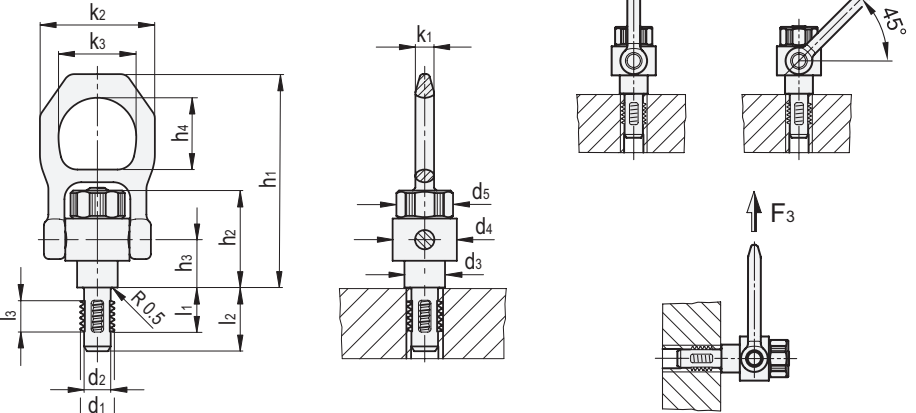
**SPECIFICATION**

- Steel **ST**
- Pin, shackle
  - Heat-treated, manganese phosphated
- Stainless steel **NI**
- Pin, AISI 630
  - Precipitation hardened
  - Shackle, AISI 316Ti
- Threaded segments
- Stainless Steel AISI 630
  - Precipitation hardened
- Button
- Aluminum, orange anodized
- Spring
- Stainless steel



**FEATURES AND APPLICATIONS**

Threaded lifting pins GN 1135 are support elements designed for quick and easy use. Pressing the operation button unlocks the threaded segments, allowing the pin to be moved in or out of the mounting thread. This eliminates the time-consuming process of screwing in or out encountered with typical lifting gear, such as lifting eye bolts. Assuming sufficient material strength, only true-to-gauge threaded holes are required to make use of the threaded lifting pins. The shackle swivels by 180°, fully rotates around the pin and always aligns itself in the direction of load without causing the pin to turn. This prevents the threaded lifting pin from being screwed out of the thread and the workpiece can be lifted safely. A safety bar protects the button from unintentional operation. For further application guidelines, see the operating instructions enclosed with every threaded lifting pin



**GN 1135-ST**

Code	Description	d1	d2 -0.07	d3	d4	d5	h1	h2	h3	h4	k1	k2	k3	l1	l2	l3	F1\ r[kN]*	F2\ r[kN]*	F3\ r[kN]*	Max. torque [Nm]	⚖️
GN.76802	GN 1135-M8-12-ST	M 8	6.62	20	38	33.5	123.7	54.9	25.7	42.5	11	68	46	12	17.8	8	2.1	0.9	0.8	2	605
GN.76806	GN 1135-M10-14-ST	M 10	8.35	20	38	33.5	123.7	54.9	25.7	42.5	11	68	46	14	20	10	3.9	1.5	1.5	2	686
GN.76812	GN 1135-M12-17-ST	M 12	10.07	20	38	33.5	123.7	54.9	25.7	42.5	11	68	46	17	24	12	6.2	2.5	2.3	2	688
GN.76816	GN 1135-M16-17-ST	M 16	13.8	20	38	33.5	123.7	54.9	25.7	42.5	11	68	46	17	24	12	8.4	4.5	4.2	2	700
GN.76822	GN 1135-M20-22-ST	M 20	17.25	35	59	50	167.5	73.7	36.5	55.6	15.5	102	70	22	30	17	16.6	7.7	5	3	1833

**GN 1135-NI**

Code	Description	d1	d2 -0.07	d3	d4	d5	h1	h2	h3	h4	k1	k2	k3	l1	l2	l3	F1\ r[kN]*	F2\ r[kN]*	F3\ r[kN]*	Max. torque [Nm]	⚖️
GN.76801	GN 1135-M8-12-NI	M 8	6.62	20	38	33.5	123.7	54.9	25.7	42.5	11	68	46	12	17.8	8	2.1	0.9	0.8	2	612
GN.76805	GN 1135-M10-14-NI	M 10	8.35	20	38	33.5	123.7	54.9	25.7	42.5	11	68	46	14	20	10	3.9	1.5	1.5	2	698
GN.76811	GN 1135-M12-17-NI	M 12	10.07	20	38	33.5	123.7	54.9	25.7	42.5	11	68	46	17	24	12	6.2	2.5	2.3	2	623
GN.76815	GN 1135-M16-17-NI	M 16	13.8	20	38	33.5	123.7	54.9	25.7	42.5	11	68	46	17	24	12	8.4	4.5	4.2	2	708
GN.76821	GN 1135-M20-22-NI	M 20	17.25	35	59	50	167.5	73.7	36.5	55.6	15.5	102	70	22	30	17	16.6	7.7	5	3	1973

Standard machine parts

\* 5-fold anti-fracture safety